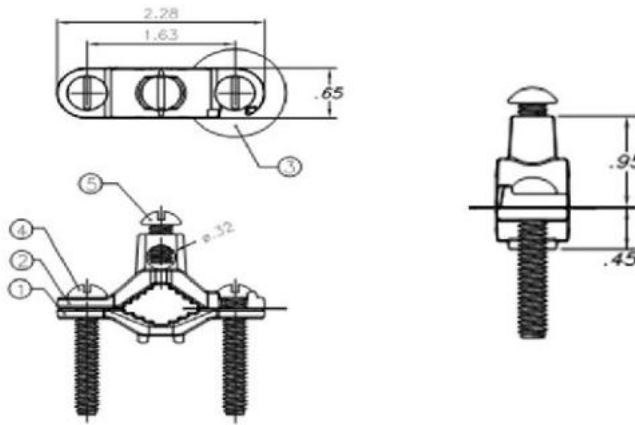



## Ground Clamps

	
Drawn - SD	
Approved - KM	
Material -Bronze	
Title - Ground Clamps	
	

			Description				
Part Number	Wire Range	Conduit Size	1	2	3	4	5
G-1-S DB	2/0 STR - 10 SOL	1/2" - 1"	Bottom Clamp	Top Clamp	Rebar Tag	1/4" - 20 x 1.5" Round Head Screw	1/4" - 20 x 0.5" Round Head Screw